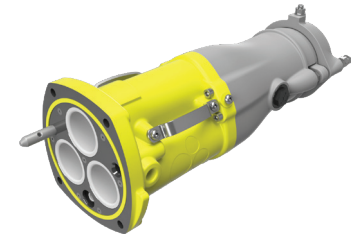
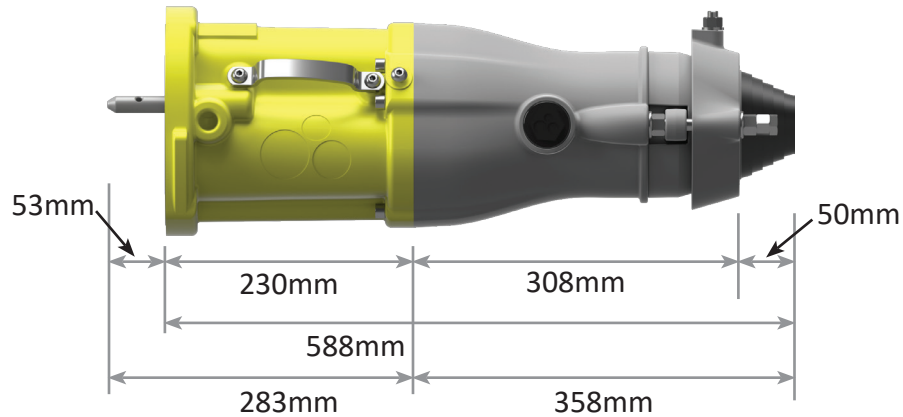


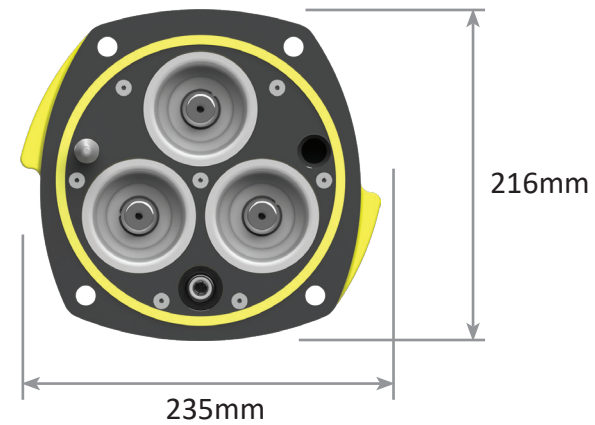
# 8BU Range High Voltage Couplers



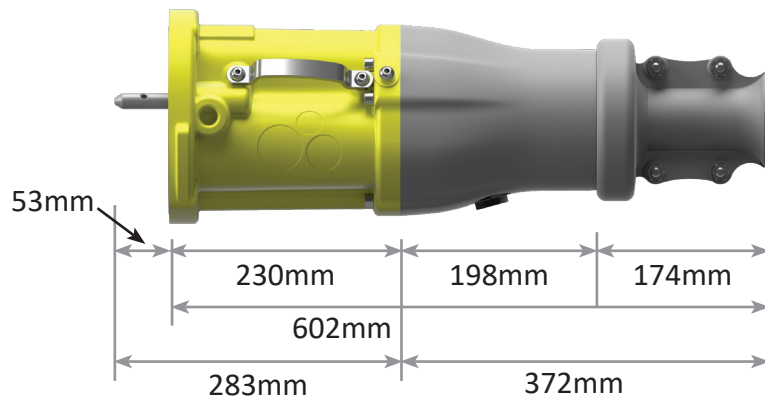
*Side View (Armoured)*



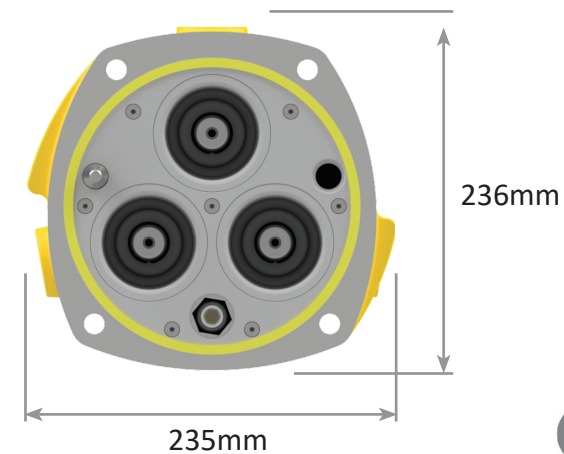
*Front View without Live Line Indicators*



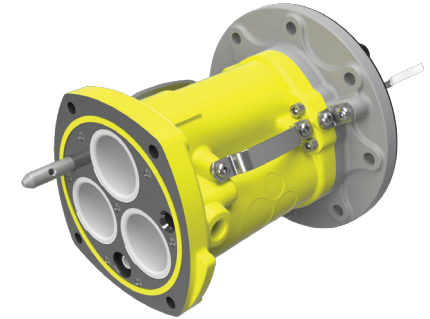
*Side View (Unarmoured)*



*Front View with Live Line Indicators*



# 8BU Range High Voltage Couplers



*Adaptor Side and Front View*

