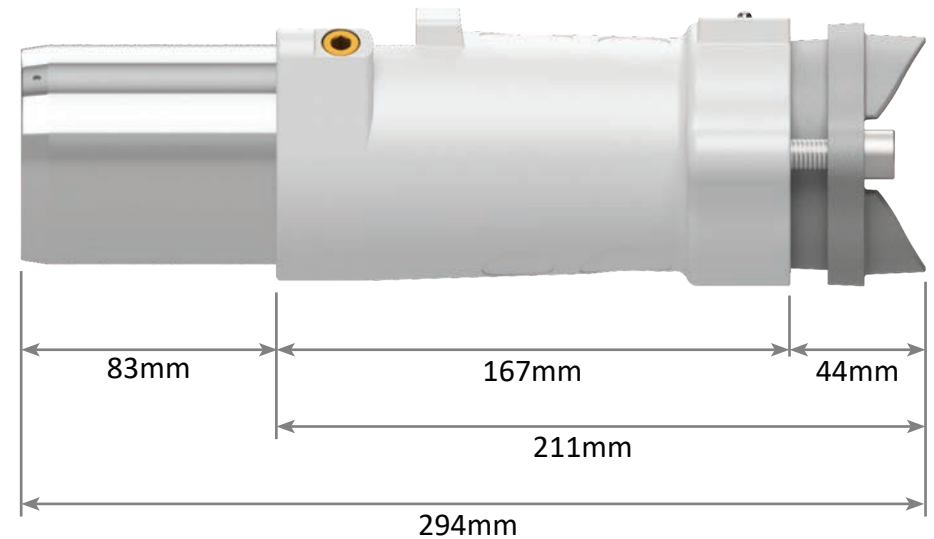
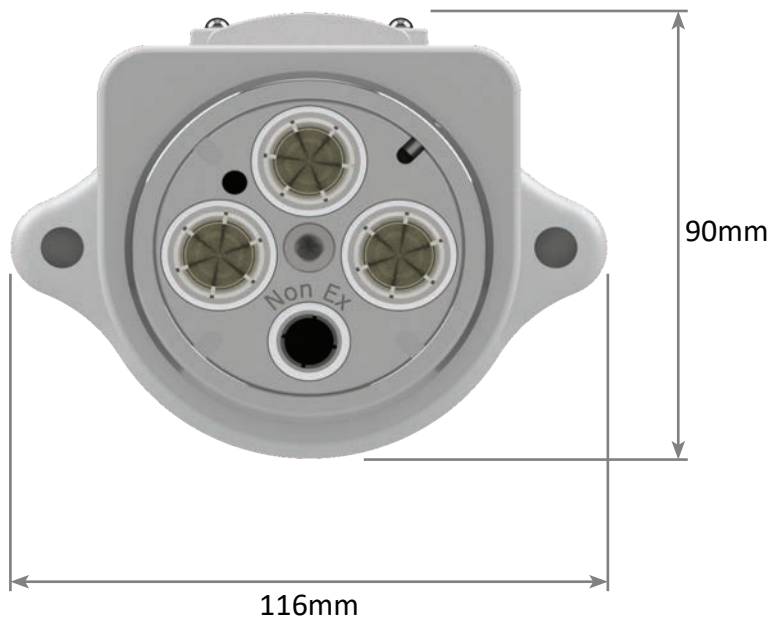


# AS RANGE

## Restrained Plugs and Receptacles

### Non-Ex

Plug Front and Side View  
660V - 1100V  
150A

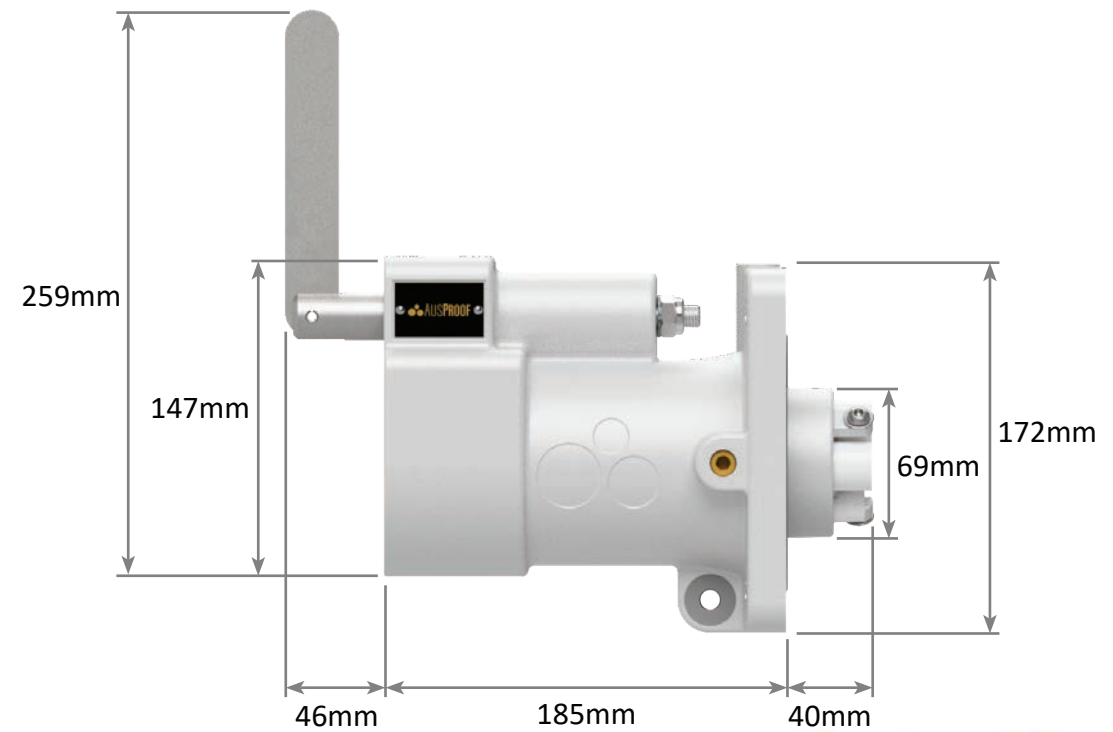
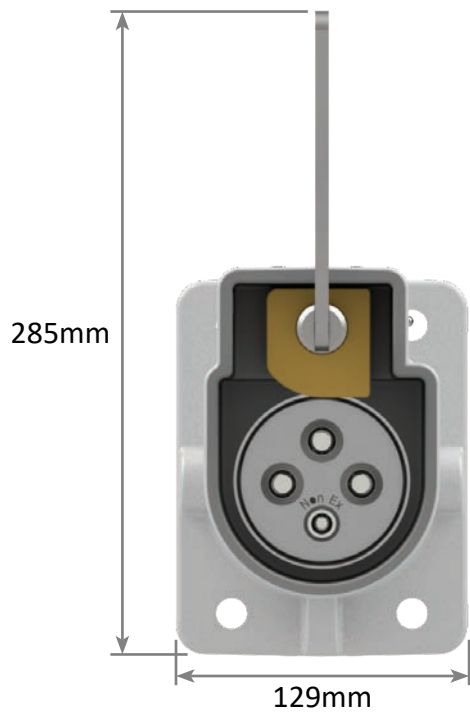


# AS RANGE

## Restrained Plugs and Receptacles Jack In Non-Ex



Receptacle Front and Side View  
660V - 1100V  
150A



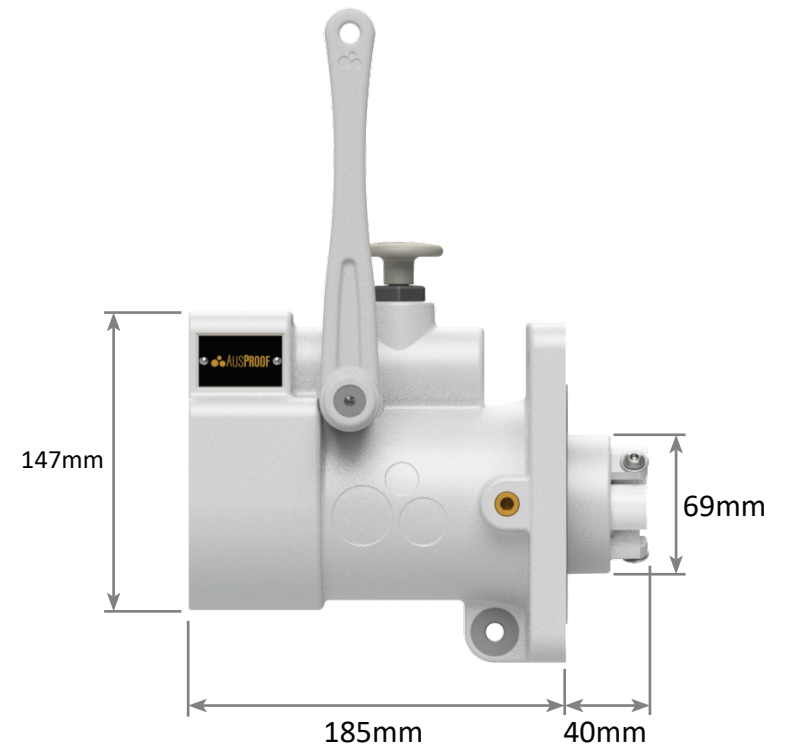
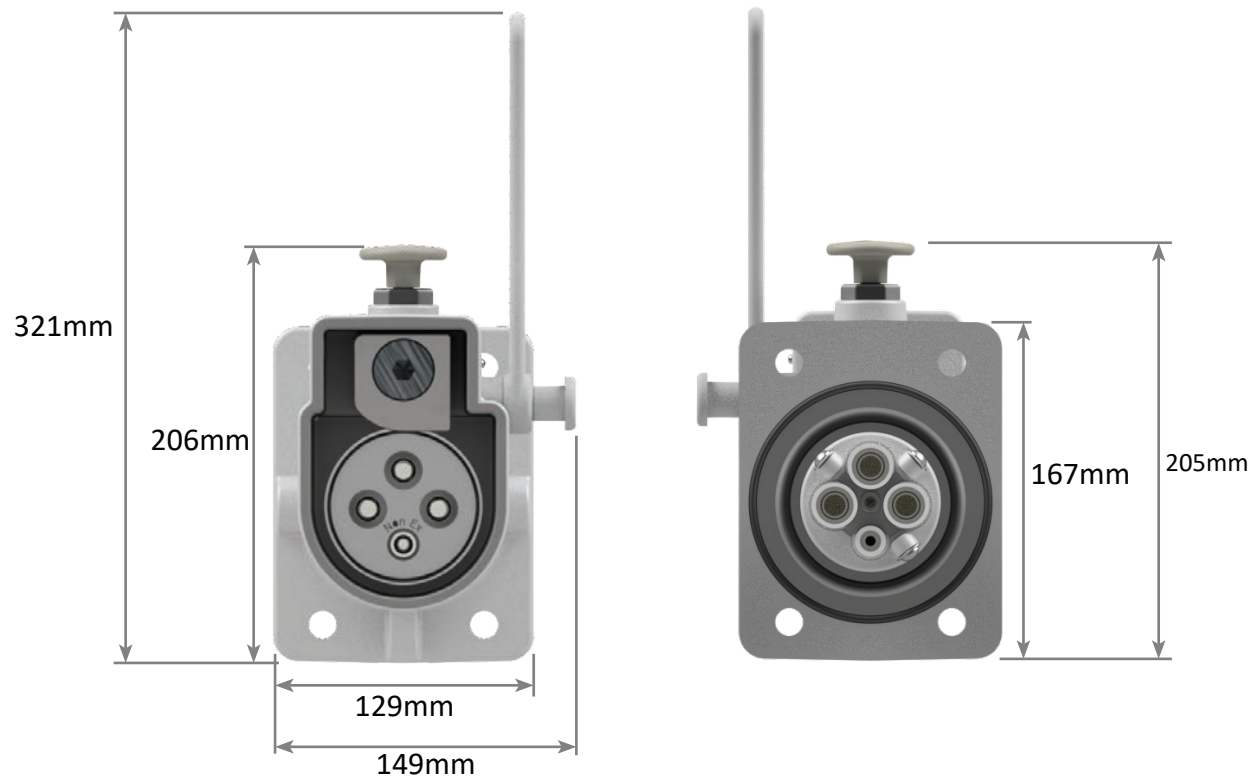
## AS RANGE

### Restrained Plugs and Receptacles Quick Release Non-Ex

Receptacle Front and Side View

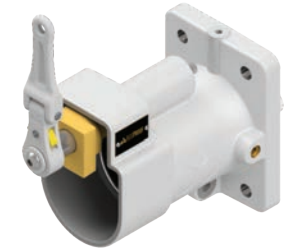
660V - 1100V

150A

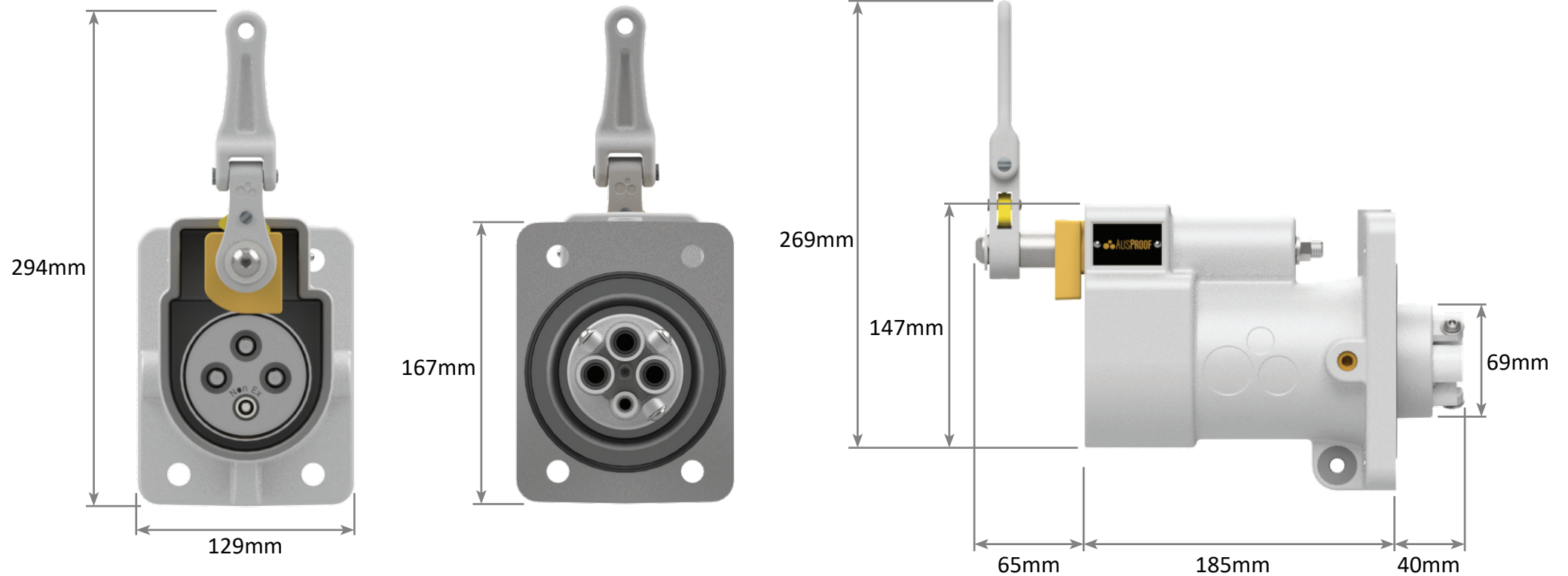


# AS RANGE

## Restrained Plugs and Receptacles Ratchet Release Non-Ex



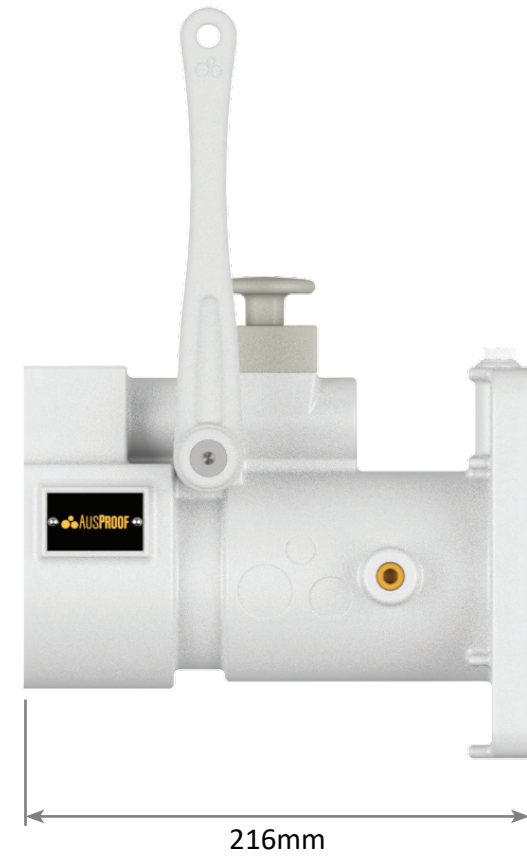
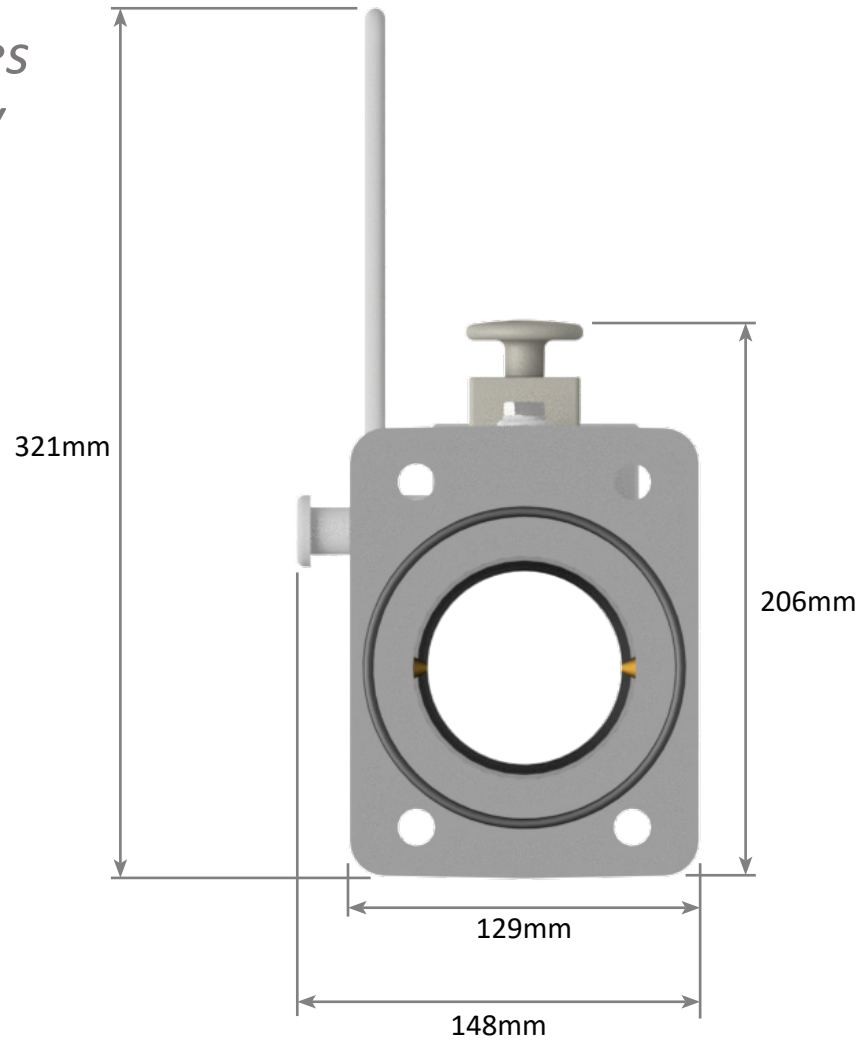
Receptacle Front and Side View  
660V - 1100V  
150A



## AS RANGE

### Restrained Plugs and Receptacles Non-Ex

Footprint Sizes  
660V - 1100V  
150A

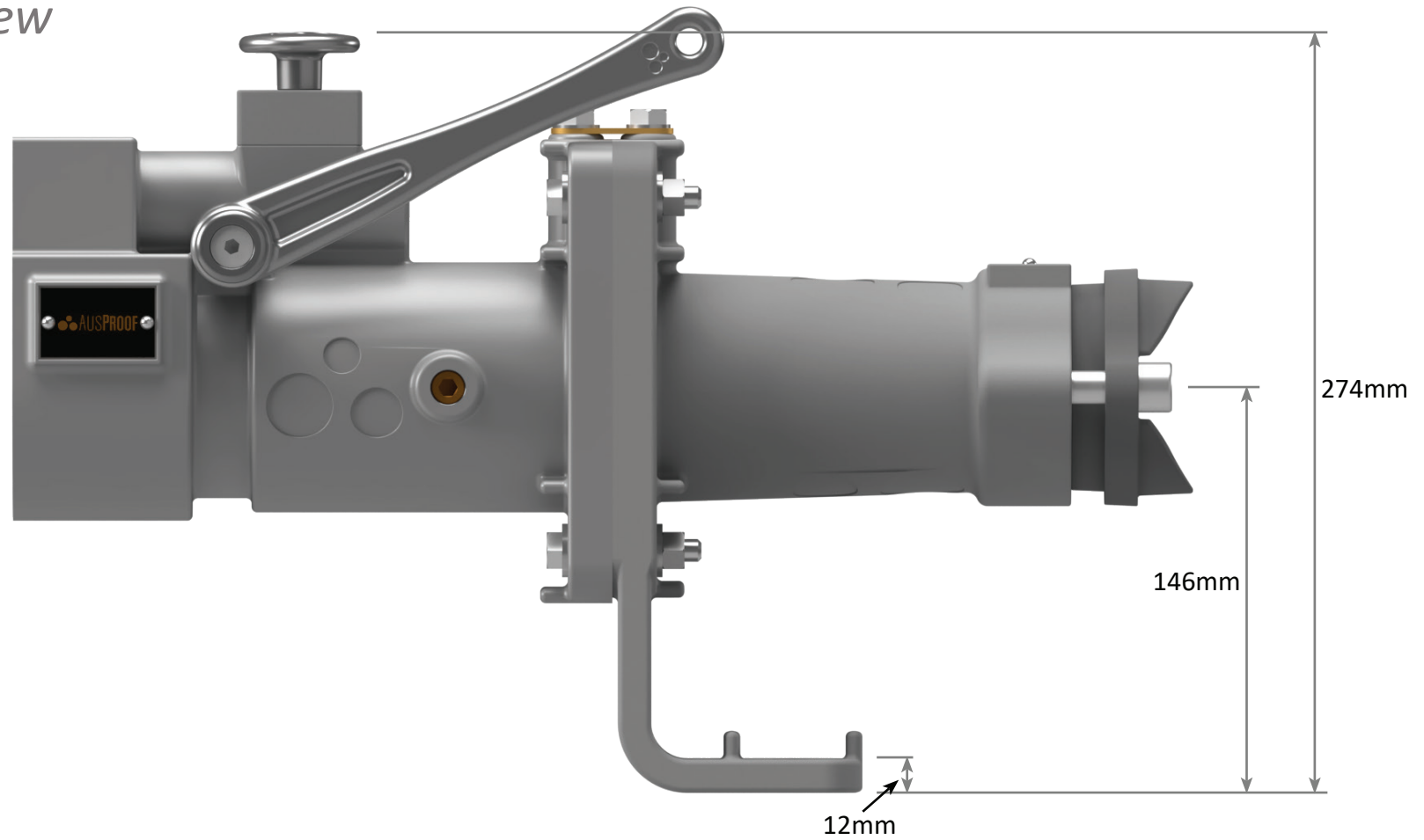


# AS RANGE

## Receptacle Gland Bracket

Non-Ex

*Right Side View*

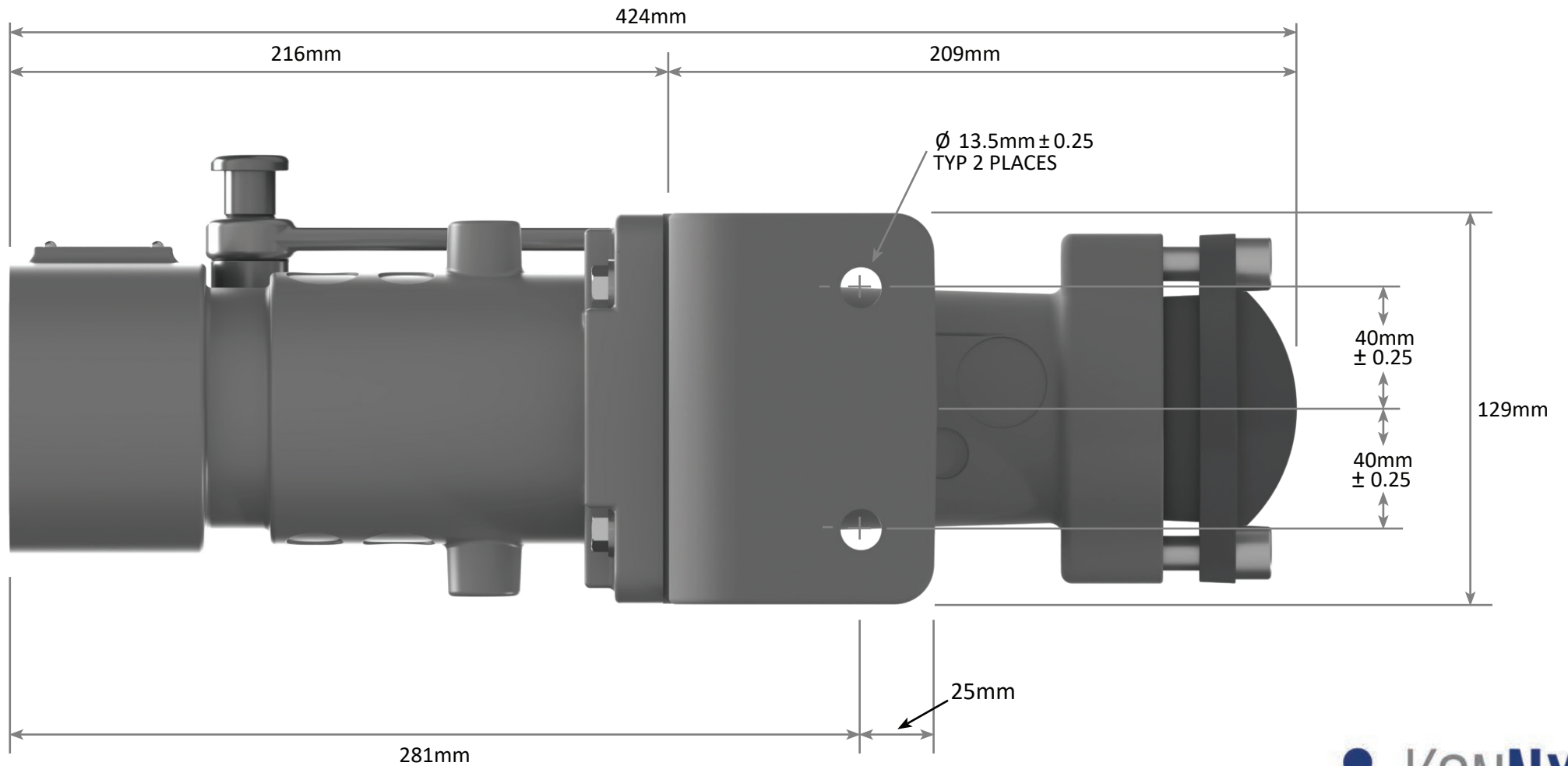


# AS RANGE

## Receptacle Gland Bracket

### Non-Ex

Bottom Side View

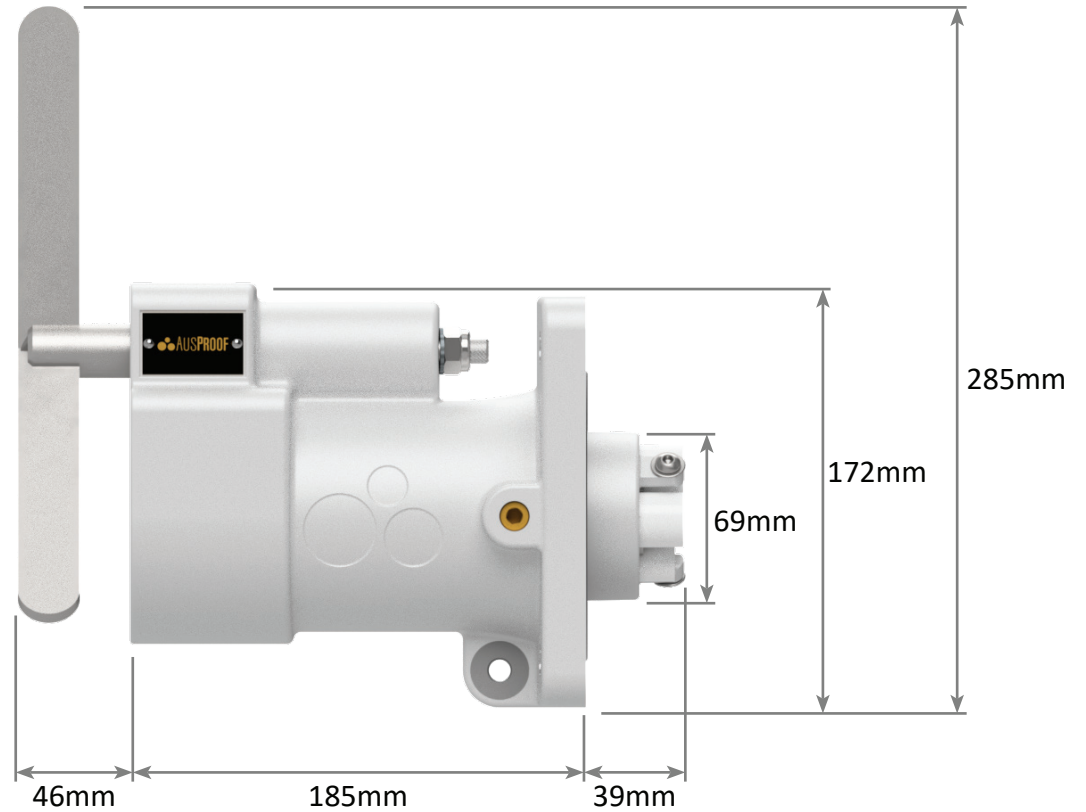
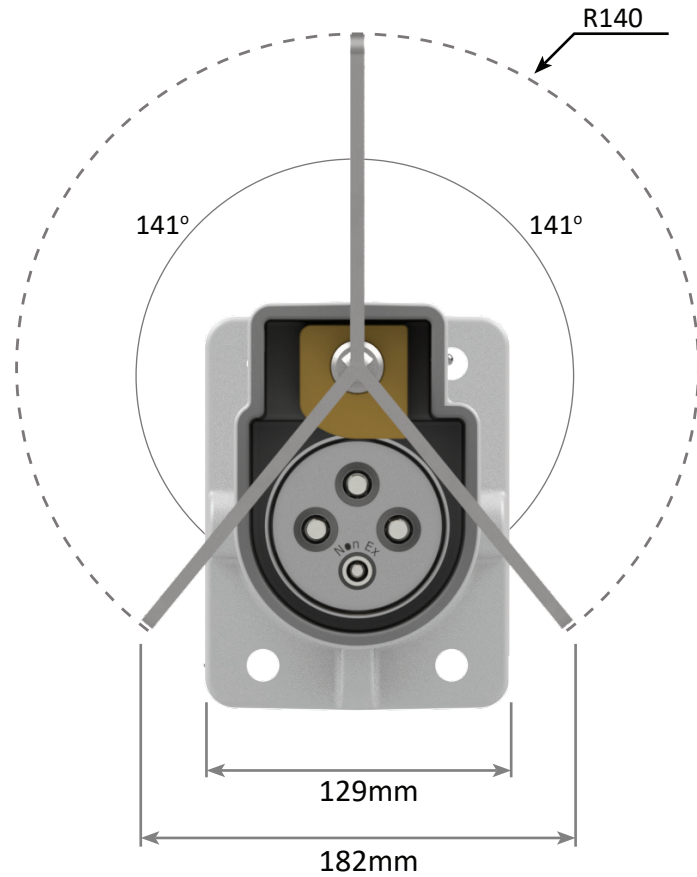


# AS RANGE

## Jack In Receptacle Handle Swing Non-Ex

660V - 1100V

150A



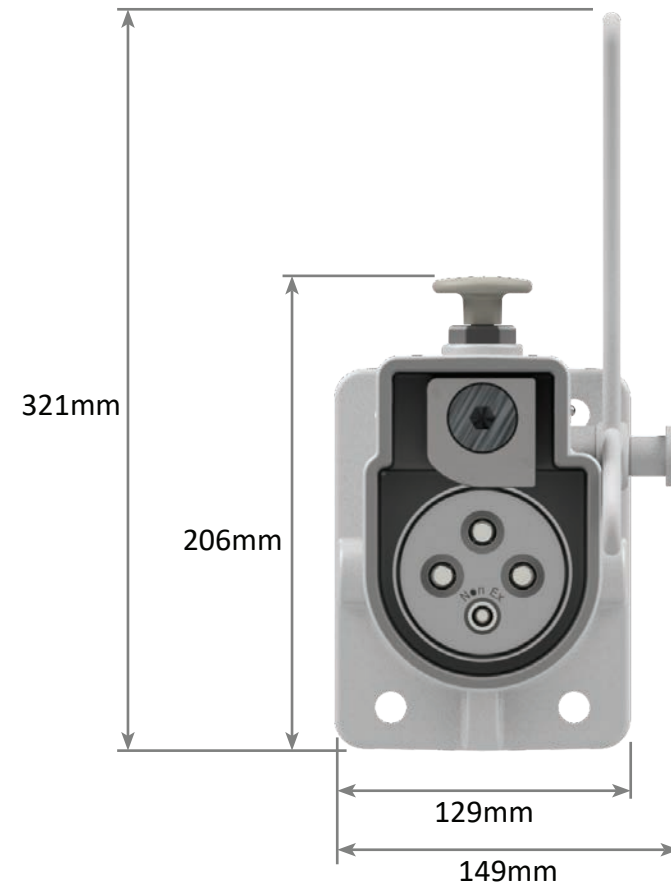
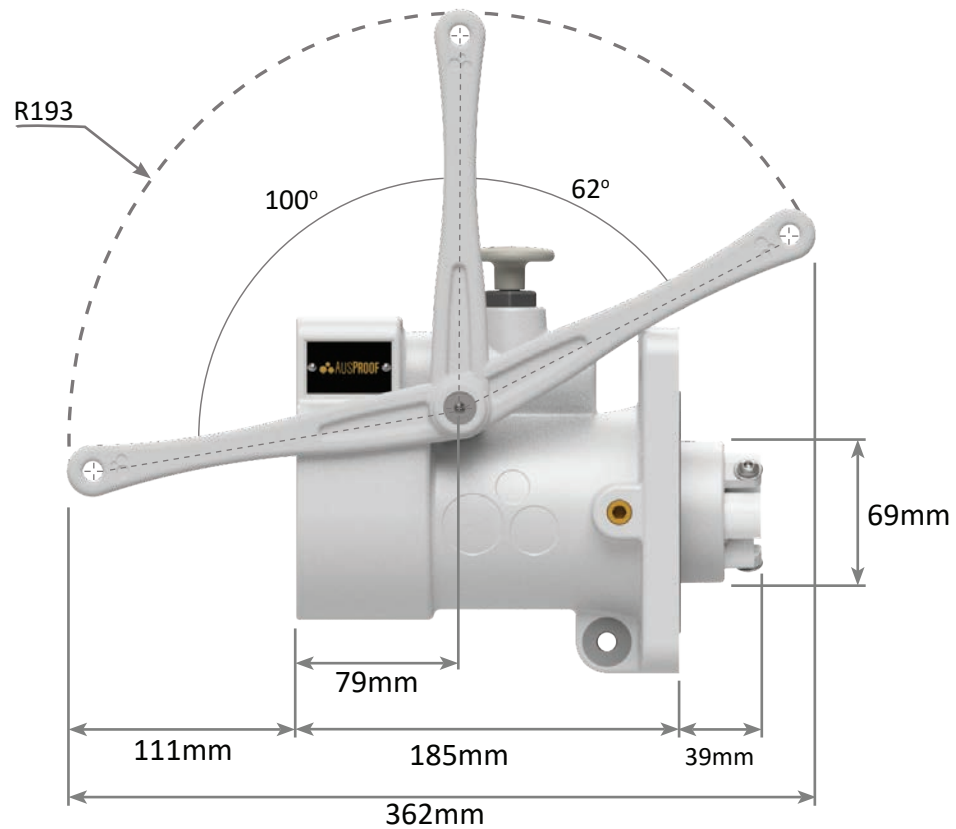


## AS RANGE

### Quick Release Receptacle Handle Swing Non-Ex

660V - 1100V

150A



## AS RANGE

### Ratchet Release Receptacle Handle Swing Non-Ex

660V - 1100V

150A

