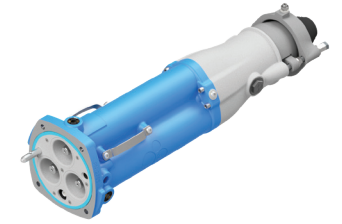
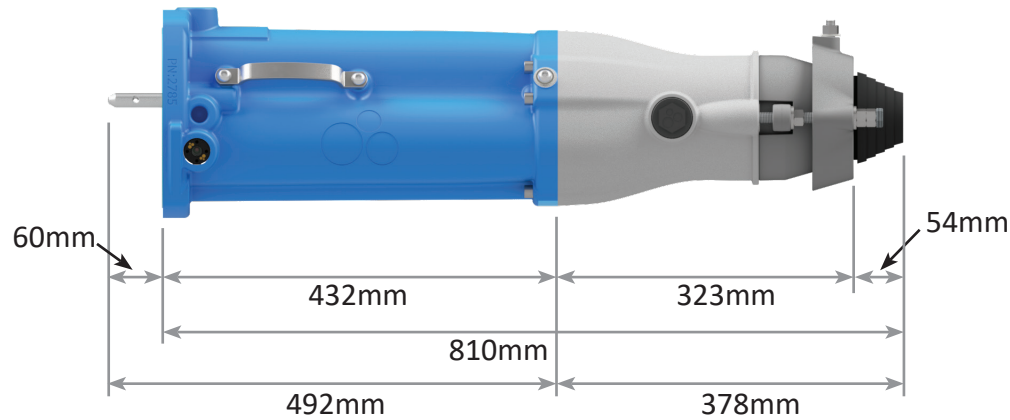


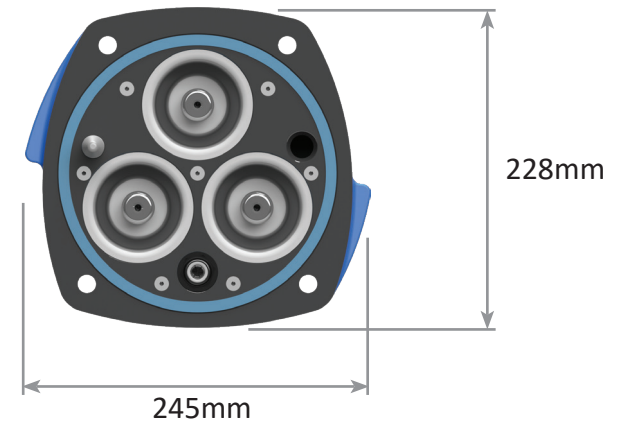
25BU Range High Voltage Couplers



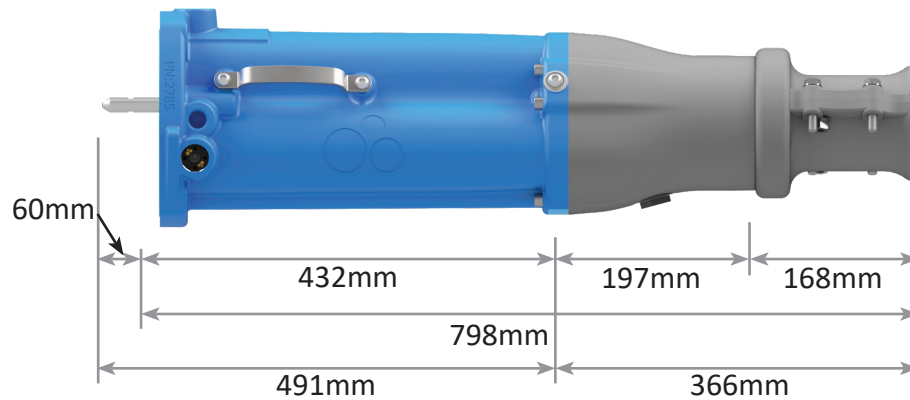
Side View (Armoured)



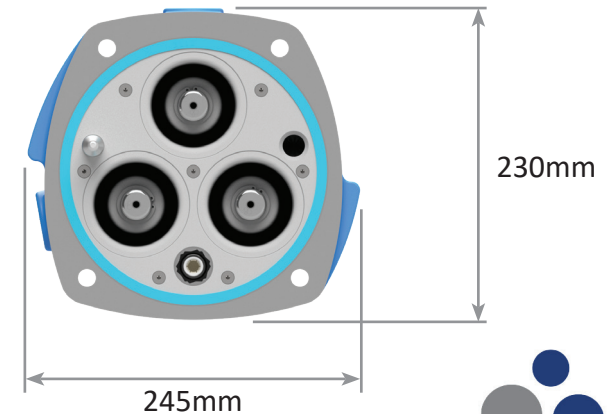
Front View without Live Line Indicators



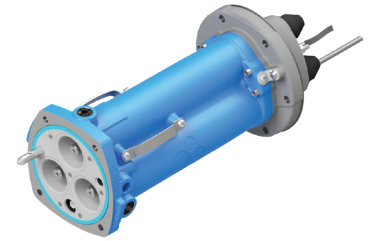
Side View (Unarmoured)



Front View with Live Line Indicators



25BU Range High Voltage Adaptors



Adaptor Side and Front View

