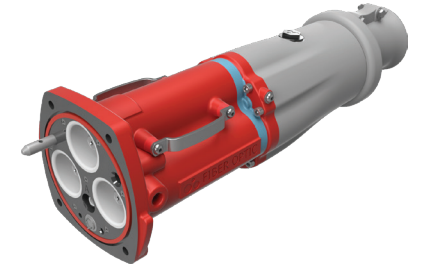
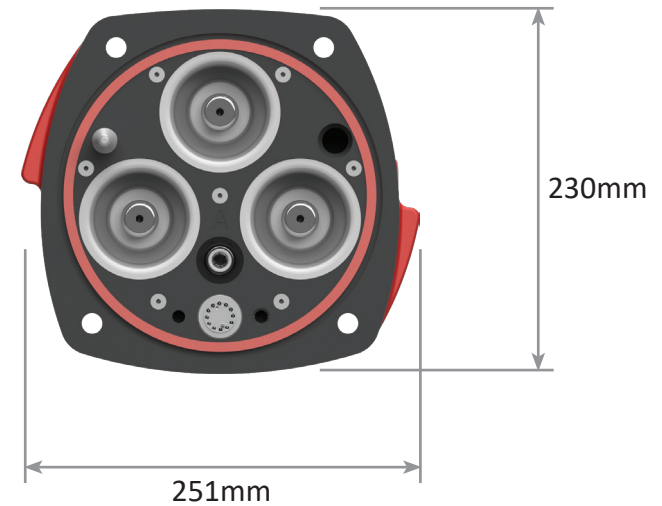
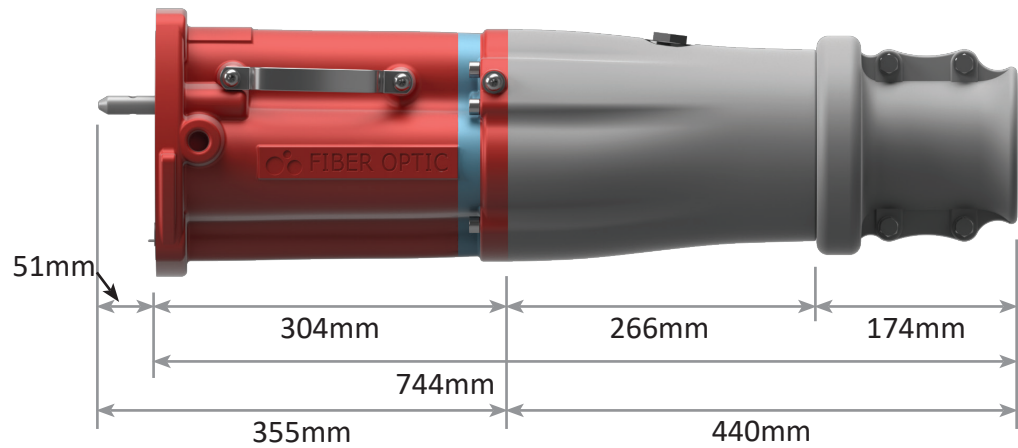


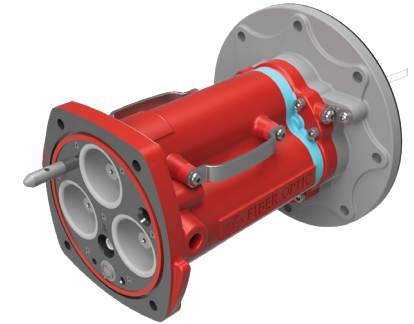
15BU Fibre Optic Range High Voltage Couplers



Side View (UN-ARM)



15BU Fibre Optic Range High Voltage Adaptors



Adaptor Side and Front View

