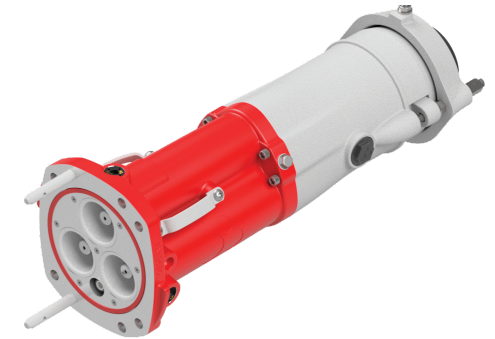
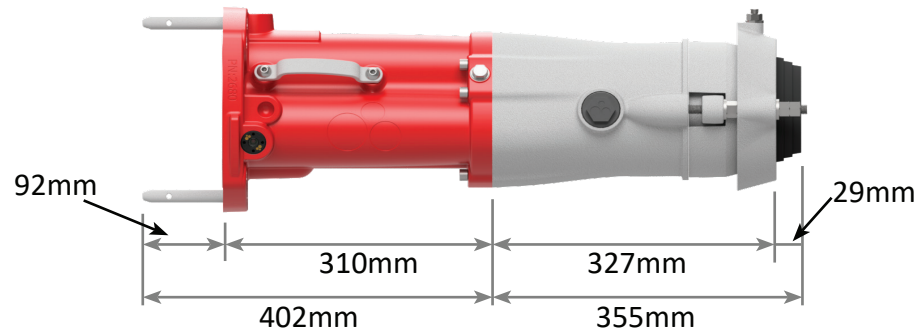


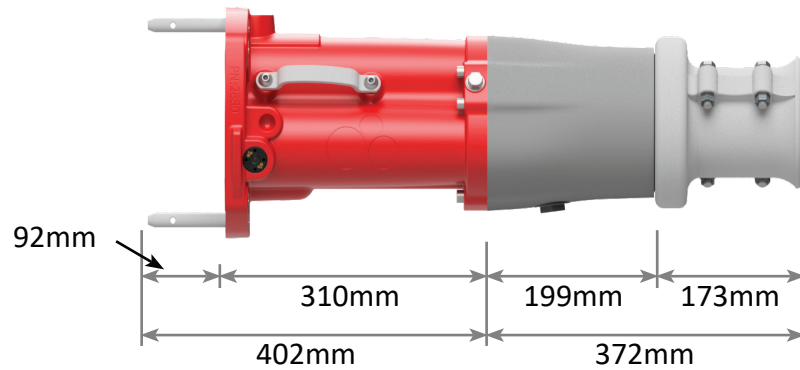
114BKA Range High Voltage Couplers



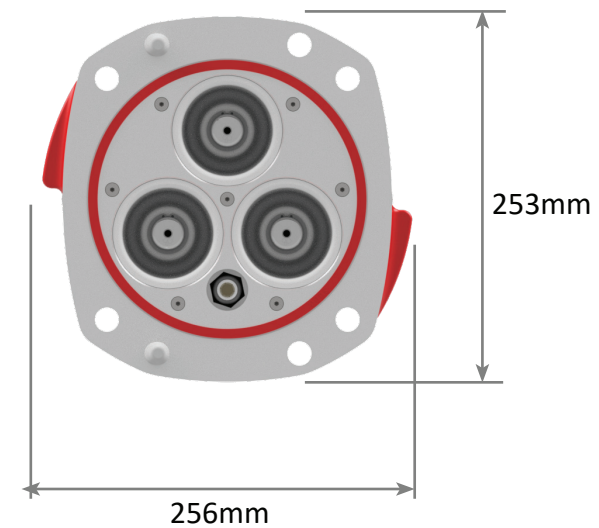
Side View (ARM)



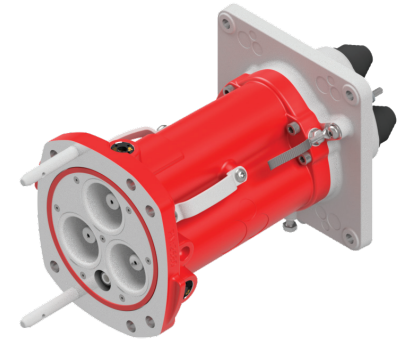
Side View (UN-ARM)



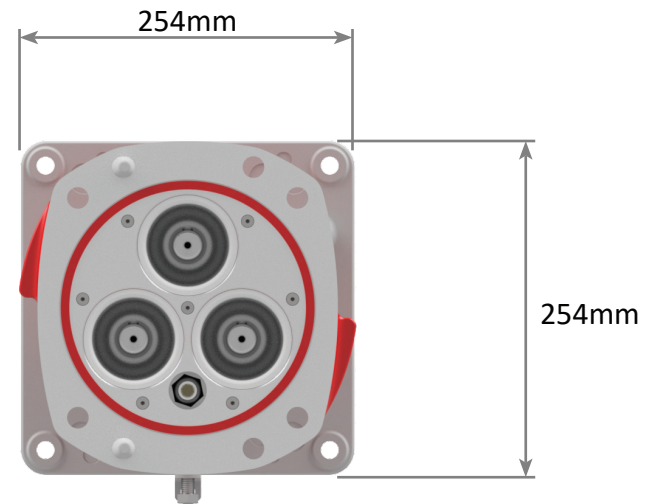
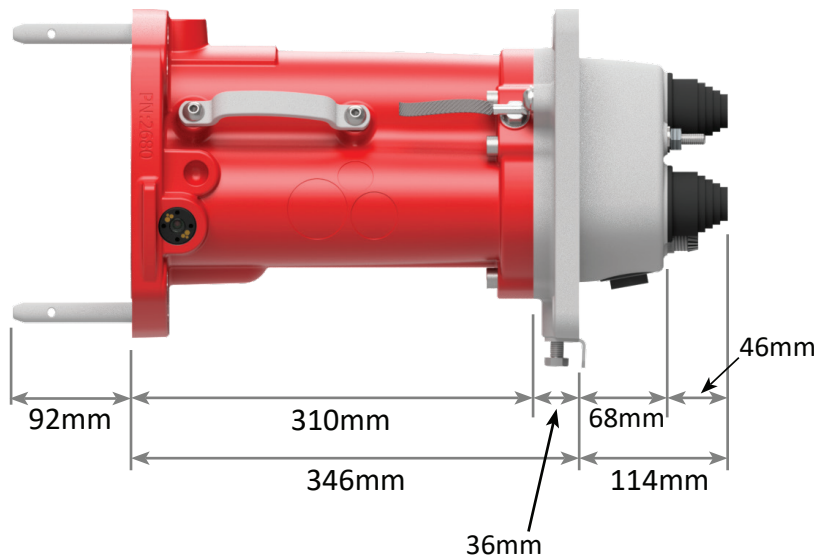
Front View

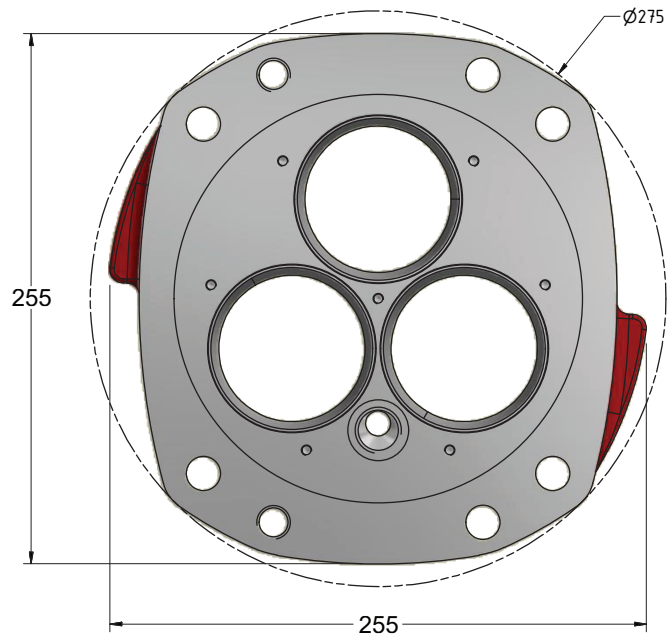


114BKA Range High Voltage Adaptors

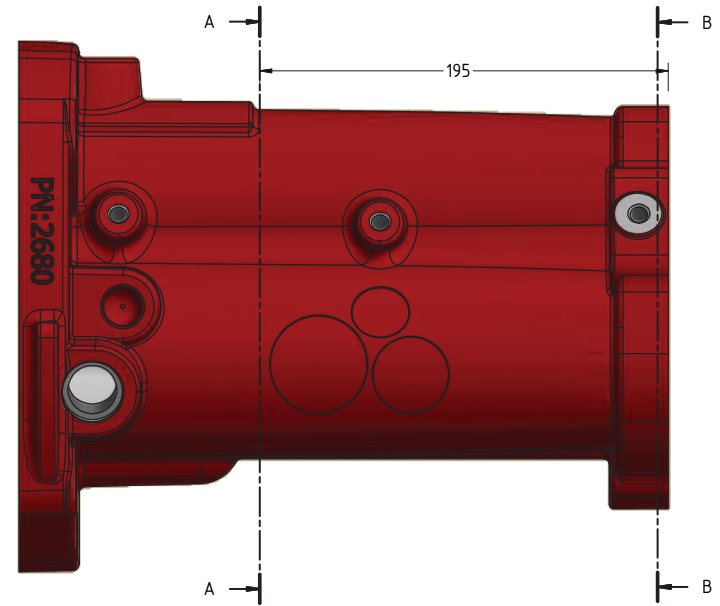


Side and Front View

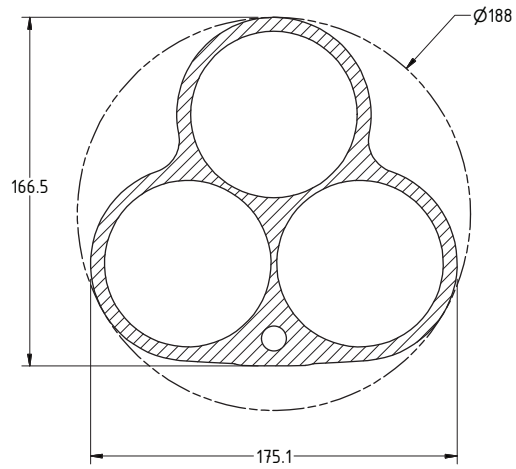




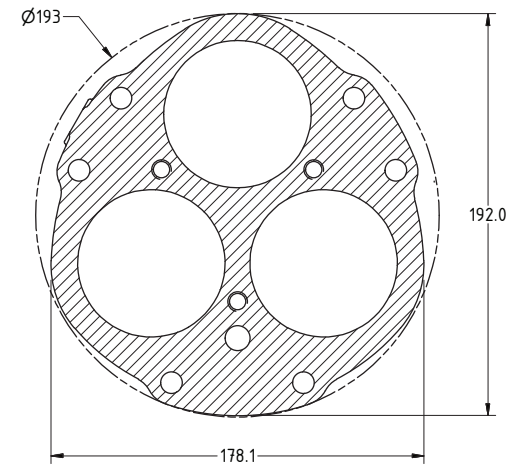
FRONT VIEW



SIDE VIEW



SECTION A-A



SECTION B-B

MODEL: 114BKA